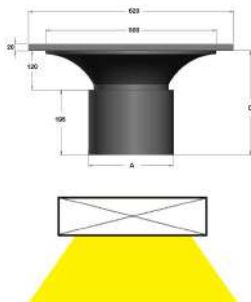


Preisliste Neuheiten 1

Brutto-Listenpreise
ohne MwSt.

vision 625 S - opal - direkt strahlend

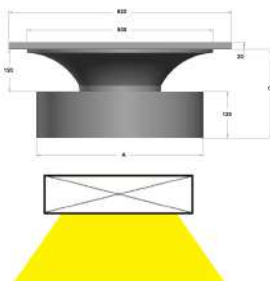


| Artikelnummer | Treiber | W | CCT | Optik | Farbe | D x H mm | Brutto |
|---------------|---------|----|------|-------|------------|-----------|----------|
| 005.0001.3699 | EVG | 12 | 3000 | Opal | Weiss | 250 x 315 | 370,79 € |
| 005.0001.3700 | EVG | 12 | 4000 | Opal | Weiss | 250 x 315 | 370,79 € |
| 005.0001.3703 | EVG | 12 | 3000 | Opal | Silbergrau | 250 x 315 | 370,79 € |
| 005.0001.3704 | EVG | 12 | 4000 | Opal | Silbergrau | 250 x 315 | 370,79 € |
| 005.0001.3707 | EVG | 12 | 3000 | Opal | Schwarz | 250 x 315 | 370,79 € |
| 005.0001.3708 | EVG | 12 | 4000 | Opal | Schwarz | 250 x 315 | 370,79 € |
| 005.0001.3701 | DALI | 12 | 3000 | Opal | Weiss | 250 x 315 | 410,51 € |
| 005.0001.3702 | DALI | 12 | 4000 | Opal | Weiss | 250 x 315 | 410,51 € |
| 005.0001.3705 | DALI | 12 | 3000 | Opal | Silbergrau | 250 x 315 | 410,51 € |
| 005.0001.3706 | DALI | 12 | 4000 | Opal | Silbergrau | 250 x 315 | 410,51 € |
| 005.0001.3709 | DALI | 12 | 3000 | Opal | Schwarz | 250 x 315 | 410,51 € |
| 005.0001.3710 | DALI | 12 | 4000 | Opal | Schwarz | 250 x 315 | 410,51 € |

vision 625 S - Mikropisma - direkt strahlend

| Artikelnummer | Treiber | W | CCT | Optik | Farbe | D x H mm | Brutto |
|---------------|---------|----|------|------------|------------|-----------|----------|
| 005.0001.3711 | EVG | 12 | 3000 | Mikropisma | Weiss | 250 x 315 | 380,29 € |
| 005.0001.3712 | EVG | 12 | 4000 | Mikropisma | Weiss | 250 x 315 | 380,29 € |
| 005.0001.3715 | EVG | 12 | 3000 | Mikropisma | Silbergrau | 250 x 315 | 380,29 € |
| 005.0001.3716 | EVG | 12 | 4000 | Mikropisma | Silbergrau | 250 x 315 | 380,29 € |
| 005.0001.3719 | EVG | 12 | 3000 | Mikropisma | Schwarz | 250 x 315 | 380,29 € |
| 005.0001.3720 | EVG | 12 | 4000 | Mikropisma | Schwarz | 250 x 315 | 380,29 € |
| 005.0001.3713 | DALI | 12 | 3000 | Mikropisma | Weiss | 250 x 315 | 419,34 € |
| 005.0001.3714 | DALI | 12 | 4000 | Mikropisma | Weiss | 250 x 315 | 419,34 € |
| 005.0001.3717 | DALI | 12 | 3000 | Mikropisma | Silbergrau | 250 x 315 | 419,34 € |
| 005.0001.3718 | DALI | 12 | 4000 | Mikropisma | Silbergrau | 250 x 315 | 419,34 € |
| 005.0001.3721 | DALI | 12 | 3000 | Mikropisma | Schwarz | 250 x 315 | 419,34 € |
| 005.0001.3722 | DALI | 12 | 4000 | Mikropisma | Schwarz | 250 x 315 | 419,34 € |

vision 625 M - opal - direkt strahlend



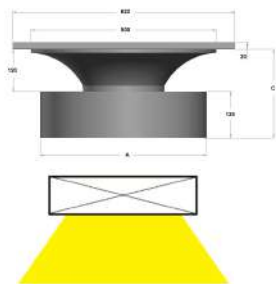
| Artikelnummer | Treiber | W | CCT | Optik | Farbe | D x H mm | Brutto |
|---------------|---------|----|------|-------|------------|-----------|----------|
| 005.0001.3723 | EVG | 35 | 3000 | Opal | Weiss | 450 x 245 | 522,90 € |
| 005.0001.3724 | EVG | 35 | 4000 | Opal | Weiss | 450 x 245 | 522,90 € |
| 005.0001.3727 | EVG | 35 | 3000 | Opal | Silbergrau | 450 x 245 | 522,90 € |
| 005.0001.3728 | EVG | 35 | 4000 | Opal | Silbergrau | 450 x 245 | 522,90 € |
| 005.0001.3731 | EVG | 35 | 3000 | Opal | Schwarz | 450 x 245 | 522,90 € |
| 005.0001.3732 | EVG | 35 | 4000 | Opal | Schwarz | 450 x 245 | 522,90 € |
| 005.0001.3725 | DALI | 35 | 3000 | Opal | Weiss | 450 x 245 | 551,77 € |
| 005.0001.3726 | DALI | 35 | 4000 | Opal | Weiss | 450 x 245 | 551,77 € |
| 005.0001.3729 | DALI | 35 | 3000 | Opal | Silbergrau | 450 x 245 | 551,77 € |
| 005.0001.3730 | DALI | 35 | 4000 | Opal | Silbergrau | 450 x 245 | 551,77 € |
| 005.0001.3733 | DALI | 35 | 3000 | Opal | Schwarz | 450 x 245 | 551,77 € |
| 005.0001.3734 | DALI | 35 | 4000 | Opal | Schwarz | 450 x 245 | 551,77 € |

Preisliste Neuheiten 1

Brutto-Listenpreise
ohne MwSt.

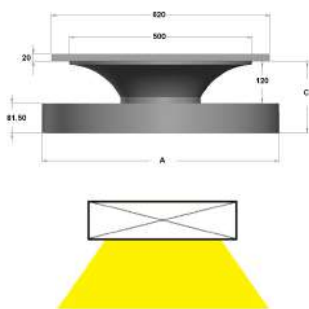
monos
light in balance

vision 625 M - Mikroprisma - direkt strahlend



| Artikelnummer | Treiber | W | CCT | Optik | Farbe | D x H mm | Brutto |
|---------------|---------|----|------|-------------|------------|-----------|----------|
| 005.0001.3735 | EVG | 35 | 3000 | Mikroprisma | Weiss | 450 x 245 | 551,43 € |
| 005.0001.3736 | EVG | 35 | 4000 | Mikroprisma | Weiss | 450 x 245 | 551,43 € |
| 005.0001.3739 | EVG | 35 | 3000 | Mikroprisma | Silbergrau | 450 x 245 | 551,43 € |
| 005.0001.3740 | EVG | 35 | 4000 | Mikroprisma | Silbergrau | 450 x 245 | 551,43 € |
| 005.0001.3743 | EVG | 35 | 3000 | Mikroprisma | Schwarz | 450 x 245 | 551,43 € |
| 005.0001.3744 | EVG | 35 | 4000 | Mikroprisma | Schwarz | 450 x 245 | 551,43 € |
| 005.0001.3737 | DALI | 35 | 3000 | Mikroprisma | Weiss | 450 x 245 | 578,25 € |
| 005.0001.3738 | DALI | 35 | 4000 | Mikroprisma | Weiss | 450 x 245 | 578,25 € |
| 005.0001.3741 | DALI | 35 | 3000 | Mikroprisma | Silbergrau | 450 x 245 | 578,25 € |
| 005.0001.3742 | DALI | 35 | 4000 | Mikroprisma | Silbergrau | 450 x 245 | 578,25 € |
| 005.0001.3745 | DALI | 35 | 3000 | Mikroprisma | Schwarz | 450 x 245 | 578,25 € |
| 005.0001.3746 | DALI | 35 | 4000 | Mikroprisma | Schwarz | 450 x 245 | 534,11 € |

vision 625 L - opal - direkt strahlend

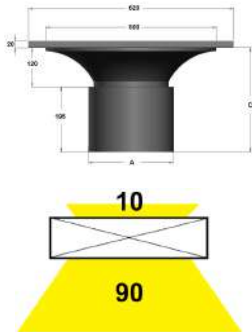


| Artikelnummer | Treiber | W | CCT | Optik | Farbe | D x H mm | Brutto |
|---------------|---------|----|------|-------|------------|-----------|----------|
| 005.0001.3747 | EVG | 74 | 3000 | Opal | Weiss | 650 x 202 | 760,59 € |
| 005.0001.3748 | EVG | 74 | 4000 | Opal | Weiss | 650 x 202 | 760,59 € |
| 005.0001.3751 | EVG | 74 | 3000 | Opal | Silbergrau | 650 x 202 | 760,59 € |
| 005.0001.3752 | EVG | 74 | 4000 | Opal | Silbergrau | 650 x 202 | 760,59 € |
| 005.0001.3755 | EVG | 74 | 3000 | Opal | Schwarz | 650 x 202 | 760,59 € |
| 005.0001.3756 | EVG | 74 | 4000 | Opal | Schwarz | 650 x 202 | 760,59 € |
| 005.0001.3749 | DALI | 74 | 3000 | Opal | Weiss | 650 x 202 | 803,37 € |
| 005.0001.3750 | DALI | 74 | 4000 | Opal | Weiss | 650 x 202 | 803,37 € |
| 005.0001.3753 | DALI | 74 | 3000 | Opal | Silbergrau | 650 x 202 | 803,37 € |
| 005.0001.3754 | DALI | 74 | 4000 | Opal | Silbergrau | 650 x 202 | 803,37 € |
| 005.0001.3757 | DALI | 74 | 3000 | Opal | Schwarz | 650 x 202 | 803,37 € |
| 005.0001.3758 | DALI | 74 | 4000 | Opal | Schwarz | 650 x 202 | 803,37 € |

vision 625 L - Mikroprisma - direkt strahlend

| Artikelnummer | Treiber | W | CCT | Optik | Farbe | D x H mm | Brutto |
|---------------|---------|----|------|-------------|------------|-----------|----------|
| 005.0001.3759 | EVG | 74 | 3000 | Mikroprisma | Weiss | 650 x 202 | 808,13 € |
| 005.0001.3760 | EVG | 74 | 4000 | Mikroprisma | Weiss | 650 x 202 | 808,13 € |
| 005.0001.3763 | EVG | 74 | 3000 | Mikroprisma | Silbergrau | 650 x 202 | 808,13 € |
| 005.0001.3764 | EVG | 74 | 4000 | Mikroprisma | Silbergrau | 650 x 202 | 808,13 € |
| 005.0001.3767 | EVG | 74 | 3000 | Mikroprisma | Schwarz | 650 x 202 | 808,13 € |
| 005.0001.3768 | EVG | 74 | 4000 | Mikroprisma | Schwarz | 650 x 202 | 808,13 € |
| 005.0001.3761 | DALI | 74 | 3000 | Mikroprisma | Weiss | 650 x 202 | 847,51 € |
| 005.0001.3762 | DALI | 74 | 4000 | Mikroprisma | Weiss | 650 x 202 | 847,51 € |
| 005.0001.3765 | DALI | 74 | 3000 | Mikroprisma | Silbergrau | 650 x 202 | 847,51 € |
| 005.0001.3766 | DALI | 74 | 4000 | Mikroprisma | Silbergrau | 650 x 202 | 847,51 € |
| 005.0001.3769 | DALI | 74 | 3000 | Mikroprisma | Schwarz | 650 x 202 | 847,51 € |
| 005.0001.3770 | DALI | 74 | 4000 | Mikroprisma | Schwarz | 650 x 202 | 847,51 € |

vision 625 S - opal - direkt/indirekt strahlend

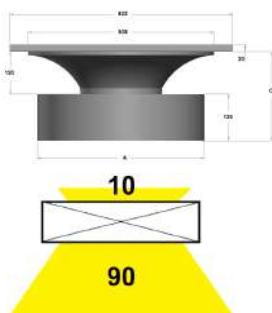


| Artikelnummer | Treiber | W | CCT | Optik | Farbe | D x H mm | Brutto |
|---------------|---------|----|------|-------|------------|-----------|----------|
| 005.0001.5312 | EVG | 12 | 3000 | Opal | Weiss | 250 x 315 | 370,79 € |
| 005.0001.5313 | EVG | 12 | 4000 | Opal | Weiss | 250 x 315 | 370,79 € |
| 005.0001.5316 | EVG | 12 | 3000 | Opal | Silbergrau | 250 x 315 | 370,79 € |
| 005.0001.5317 | EVG | 12 | 4000 | Opal | Silbergrau | 250 x 315 | 370,79 € |
| 005.0001.5320 | EVG | 12 | 3000 | Opal | Schwarz | 250 x 315 | 370,79 € |
| 005.0001.5321 | EVG | 12 | 4000 | Opal | Schwarz | 250 x 315 | 370,79 € |
| 005.0001.5314 | DALI | 12 | 3000 | Opal | Weiss | 250 x 315 | 410,51 € |
| 005.0001.5315 | DALI | 12 | 4000 | Opal | Weiss | 250 x 315 | 410,51 € |
| 005.0001.5318 | DALI | 12 | 3000 | Opal | Silbergrau | 250 x 315 | 410,51 € |
| 005.0001.5319 | DALI | 12 | 4000 | Opal | Silbergrau | 250 x 315 | 410,51 € |
| 005.0001.5322 | DALI | 12 | 3000 | Opal | Schwarz | 250 x 315 | 410,51 € |
| 005.0001.5323 | DALI | 12 | 4000 | Opal | Schwarz | 250 x 315 | 410,51 € |

vision 625 S -Mikroprisma - direkt/indirekt strahlend

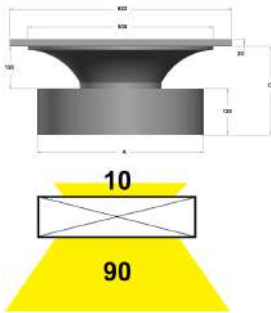
| Artikelnummer | Treiber | W | CCT | Optik | Farbe | D x H mm | Brutto |
|---------------|---------|----|------|-------------|------------|-----------|----------|
| 005.0001.5324 | EVG | 12 | 3000 | Mikroprisma | Weiss | 250 x 315 | 380,29 € |
| 005.0001.5325 | EVG | 12 | 4000 | Mikroprisma | Weiss | 250 x 315 | 380,29 € |
| 005.0001.5328 | EVG | 12 | 3000 | Mikroprisma | Silbergrau | 250 x 315 | 380,29 € |
| 005.0001.5329 | EVG | 12 | 4000 | Mikroprisma | Silbergrau | 250 x 315 | 380,29 € |
| 005.0001.5332 | EVG | 12 | 3000 | Mikroprisma | Schwarz | 250 x 315 | 380,29 € |
| 005.0001.5333 | EVG | 12 | 4000 | Mikroprisma | Schwarz | 250 x 315 | 380,29 € |
| 005.0001.5326 | DALI | 12 | 3000 | Mikroprisma | Weiss | 250 x 315 | 419,34 € |
| 005.0001.5327 | DALI | 12 | 4000 | Mikroprisma | Weiss | 250 x 315 | 419,34 € |
| 005.0001.5330 | DALI | 12 | 3000 | Mikroprisma | Silbergrau | 250 x 315 | 419,34 € |
| 005.0001.5331 | DALI | 12 | 4000 | Mikroprisma | Silbergrau | 250 x 315 | 419,34 € |
| 005.0001.5334 | DALI | 12 | 3000 | Mikroprisma | Schwarz | 250 x 315 | 419,34 € |
| 005.0001.5335 | DALI | 12 | 4000 | Mikroprisma | Schwarz | 250 x 315 | 419,34 € |

vision 625 M - opal - direkt/indirekt strahlend



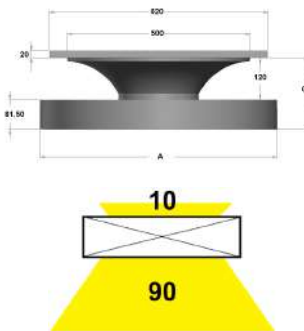
| Artikelnummer | Treiber | W | CCT | Optik | Farbe | D x H mm | Brutto |
|---------------|---------|----|------|-------|------------|-----------|----------|
| 005.0001.5336 | EVG | 35 | 3000 | Opal | Weiss | 450 x 245 | 522,90 € |
| 005.0001.5337 | EVG | 35 | 4000 | Opal | Weiss | 450 x 245 | 522,90 € |
| 005.0001.5340 | EVG | 35 | 3000 | Opal | Silbergrau | 450 x 245 | 522,90 € |
| 005.0001.5341 | EVG | 35 | 4000 | Opal | Silbergrau | 450 x 245 | 522,90 € |
| 005.0001.5344 | EVG | 35 | 3000 | Opal | Schwarz | 450 x 245 | 522,90 € |
| 005.0001.5345 | EVG | 35 | 4000 | Opal | Schwarz | 450 x 245 | 522,90 € |
| 005.0001.5338 | DALI | 35 | 3000 | Opal | Weiss | 450 x 245 | 551,77 € |
| 005.0001.5339 | DALI | 35 | 4000 | Opal | Weiss | 450 x 245 | 551,77 € |
| 005.0001.5342 | DALI | 35 | 3000 | Opal | Silbergrau | 450 x 245 | 551,77 € |
| 005.0001.5343 | DALI | 35 | 4000 | Opal | Silbergrau | 450 x 245 | 551,77 € |
| 005.0001.5346 | DALI | 35 | 3000 | Opal | Schwarz | 450 x 245 | 551,77 € |
| 005.0001.5347 | DALI | 35 | 4000 | Opal | Schwarz | 450 x 245 | 551,77 € |

vision 625 M -Mikroprisma - direkt/indirekt strahlend



| Artikelnummer | Treiber | W | CCT | Optik | Farbe | D x H mm | Brutto |
|---------------|---------|----|------|-------------|------------|-----------|----------|
| 005.0001.5348 | EVG | 35 | 3000 | Mikroprisma | Weiss | 450 x 245 | 551,43 € |
| 005.0001.5349 | EVG | 35 | 4000 | Mikroprisma | Weiss | 450 x 245 | 551,43 € |
| 005.0001.5352 | EVG | 35 | 3000 | Mikroprisma | Silbergrau | 450 x 245 | 551,43 € |
| 005.0001.5353 | EVG | 35 | 4000 | Mikroprisma | Silbergrau | 450 x 245 | 551,43 € |
| 005.0001.5356 | EVG | 35 | 3000 | Mikroprisma | Schwarz | 450 x 245 | 551,43 € |
| 005.0001.5357 | EVG | 35 | 4000 | Mikroprisma | Schwarz | 450 x 245 | 551,43 € |
| 005.0001.5350 | DALI | 35 | 3000 | Mikroprisma | Weiss | 450 x 245 | 578,25 € |
| 005.0001.5351 | DALI | 35 | 4000 | Mikroprisma | Weiss | 450 x 245 | 578,25 € |
| 005.0001.5354 | DALI | 35 | 3000 | Mikroprisma | Silbergrau | 450 x 245 | 578,25 € |
| 005.0001.5355 | DALI | 35 | 4000 | Mikroprisma | Silbergrau | 450 x 245 | 578,25 € |
| 005.0001.5358 | DALI | 35 | 3000 | Mikroprisma | Schwarz | 450 x 245 | 578,25 € |
| 005.0001.5359 | DALI | 35 | 4000 | Mikroprisma | Schwarz | 450 x 245 | 534,11 € |

vision 625 L - opal - direkt/indirekt strahlend



| Artikelnummer | Treiber | W | CCT | Optik | Farbe | D x H mm | Brutto |
|---------------|---------|----|------|-------|------------|-----------|----------|
| 005.0001.5360 | EVG | 74 | 3000 | Opal | Weiss | 650 x 202 | 903,20 € |
| 005.0001.5361 | EVG | 74 | 4000 | Opal | Weiss | 650 x 202 | 903,20 € |
| 005.0001.5364 | EVG | 74 | 3000 | Opal | Silbergrau | 650 x 202 | 903,20 € |
| 005.0001.5365 | EVG | 74 | 4000 | Opal | Silbergrau | 650 x 202 | 903,20 € |
| 005.0001.5368 | EVG | 74 | 3000 | Opal | Schwarz | 650 x 202 | 903,20 € |
| 005.0001.5369 | EVG | 74 | 4000 | Opal | Schwarz | 650 x 202 | 903,20 € |
| 005.0001.5362 | DALI | 74 | 3000 | Opal | Weiss | 650 x 202 | 935,80 € |
| 005.0001.5363 | DALI | 74 | 4000 | Opal | Weiss | 650 x 202 | 935,80 € |
| 005.0001.5366 | DALI | 74 | 3000 | Opal | Silbergrau | 650 x 202 | 935,80 € |
| 005.0001.5367 | DALI | 74 | 4000 | Opal | Silbergrau | 650 x 202 | 935,80 € |
| 005.0001.5370 | DALI | 74 | 3000 | Opal | Schwarz | 650 x 202 | 935,80 € |
| 005.0001.5371 | DALI | 74 | 4000 | Opal | Schwarz | 650 x 202 | 935,80 € |

vision 625 L -Mikroprisma - direkt/indirekt strahlend

| Artikelnummer | Treiber | W | CCT | Optik | Farbe | D x H mm | Brutto |
|---------------|---------|----|------|-------------|------------|-----------|----------|
| 005.0001.5372 | EVG | 74 | 3000 | Mikroprisma | Weiss | 650 x 202 | 950,74 € |
| 005.0001.5373 | EVG | 74 | 4000 | Mikroprisma | Weiss | 650 x 202 | 950,74 € |
| 005.0001.5376 | EVG | 74 | 3000 | Mikroprisma | Silbergrau | 650 x 202 | 950,74 € |
| 005.0001.5377 | EVG | 74 | 4000 | Mikroprisma | Silbergrau | 650 x 202 | 950,74 € |
| 005.0001.5380 | EVG | 74 | 3000 | Mikroprisma | Schwarz | 650 x 202 | 950,74 € |
| 005.0001.5381 | EVG | 74 | 4000 | Mikroprisma | Schwarz | 650 x 202 | 950,74 € |
| 005.0001.5374 | DALI | 74 | 3000 | Mikroprisma | Weiss | 650 x 202 | 979,94 € |
| 005.0001.5375 | DALI | 74 | 4000 | Mikroprisma | Weiss | 650 x 202 | 979,94 € |
| 005.0001.5378 | DALI | 74 | 3000 | Mikroprisma | Silbergrau | 650 x 202 | 979,94 € |
| 005.0001.5379 | DALI | 74 | 4000 | Mikroprisma | Silbergrau | 650 x 202 | 979,94 € |
| 005.0001.5382 | DALI | 74 | 3000 | Mikroprisma | Schwarz | 650 x 202 | 979,94 € |
| 005.0001.5383 | DALI | 74 | 4000 | Mikroprisma | Schwarz | 650 x 202 | 979,94 € |

Preisliste Neuheiten 1

Brutto-Listenpreise
ohne MwSt.

monos
light in balance



**Pendelleuchte
ringo**



| Artikelnummer | Treiber | W | LM | CCT | D/mm | Brutto | Datenblatt |
|---------------|---------|-----|-------|------|------|---------|------------|
| 005.0001.1665 | EVG | 34 | 2722 | 3000 | 432 | 353,70 | 23.018D |
| 005.0001.1666 | EVG | 48 | 3830 | 3000 | 607 | 441,94 | 23.018D |
| 005.0001.1667 | EVG | 63 | 5040 | 3000 | 798 | 532,35 | 23.018D |
| 005.0001.1668 | EVG | 79 | 6350 | 3000 | 1005 | 749,91 | 23.018D |
| 005.0001.1669 | EVG | 93 | 7459 | 3000 | 1179 | 864,46 | 23.018D |
| 005.0001.1670 | EVG | 119 | 9492 | 3000 | 1500 | 1119,42 | 23.018D |
| 005.0001.1671 | EVG | 156 | 12499 | 3000 | 1974 | 1398,86 | 23.018D |
| 005.0001.1672 | EVG | 34 | 2824 | 4000 | 432 | 353,70 | 23.018D |
| 005.0001.1673 | EVG | 48 | 3974 | 4000 | 607 | 441,94 | 23.018D |
| 005.0001.1674 | EVG | 63 | 5229 | 4000 | 798 | 532,35 | 23.018D |
| 005.0001.1675 | EVG | 79 | 6589 | 4000 | 1005 | 749,91 | 23.018D |
| 005.0001.1676 | EVG | 93 | 7739 | 4000 | 1179 | 864,46 | 23.018D |
| 005.0001.1677 | EVG | 119 | 9848 | 4000 | 1500 | 1119,42 | 23.018D |
| 005.0001.1678 | EVG | 156 | 12968 | 4000 | 1974 | 1398,86 | 23.018D |
| 005.0001.1679 | DALI | 34 | 2722 | 3000 | 432 | 498,01 | 23.018D |
| 005.0001.1680 | DALI | 48 | 3830 | 3000 | 607 | 586,25 | 23.018D |
| 005.0001.1681 | DALI | 63 | 5040 | 3000 | 798 | 676,66 | 23.018D |
| 005.0001.1682 | DALI | 79 | 6350 | 3000 | 1005 | 923,08 | 23.018D |
| 005.0001.1683 | DALI | 93 | 7459 | 3000 | 1179 | 1037,63 | 23.018D |
| 005.0001.1684 | DALI | 119 | 9492 | 3000 | 1500 | 1292,59 | 23.018D |
| 005.0001.1685 | DALI | 156 | 12499 | 3000 | 1974 | 1572,03 | 23.018D |
| 005.0001.1686 | DALI | 34 | 2824 | 4000 | 432 | 498,01 | 23.018D |
| 005.0001.1687 | DALI | 48 | 3974 | 4000 | 607 | 586,25 | 23.018D |
| 005.0001.1688 | DALI | 63 | 5229 | 4000 | 798 | 676,66 | 23.018D |
| 005.0001.1689 | DALI | 79 | 6589 | 4000 | 1005 | 923,08 | 23.018D |
| 005.0001.1690 | DALI | 93 | 7739 | 4000 | 1179 | 1037,63 | 23.018D |
| 005.0001.1691 | DALI | 119 | 9848 | 4000 | 1500 | 1292,59 | 23.018D |
| 005.0001.1692 | DALI | 156 | 12968 | 4000 | 1974 | 1572,03 | 23.018D |



**Pendelleuchte
ringo X**



| Artikelnummer | Treiber | W | LM | CCT | D/mm | Brutto | Datenblatt |
|---------------|---------|-----|-------|------|------|---------|------------|
| 005.0001.3426 | EVG | 34 | 2722 | 3000 | 432 | 409,50 | D24.057 |
| 005.0001.3427 | EVG | 48 | 3830 | 3000 | 607 | 504,80 | D24.057 |
| 005.0001.3428 | EVG | 63 | 5040 | 3000 | 798 | 602,44 | D24.057 |
| 005.0001.3429 | EVG | 79 | 6350 | 3000 | 1005 | 780,47 | D24.057 |
| 005.0001.3430 | EVG | 93 | 7459 | 3000 | 1179 | 895,02 | D24.057 |
| 005.0001.3431 | EVG | 119 | 9492 | 3000 | 1500 | 1160,16 | D24.057 |
| 005.0001.3432 | EVG | 156 | 12499 | 3000 | 1974 | 1439,61 | D24.057 |

Preisliste Neuheiten 1

Brutto-Listenpreise
ohne MwSt.

monos
light in balance



**Pendelleuchte
ringo X**



| Artikelnummer | Treiber | W | LM | CCT | D/mm | Brutto | Datenblatt |
|---------------|---------|-----|-------|------|------|---------|------------|
| 005.0001.3433 | EVG | 34 | 2824 | 4000 | 432 | 409,50 | D24.057 |
| 005.0001.3434 | EVG | 48 | 3974 | 4000 | 607 | 504,80 | D24.057 |
| 005.0001.3435 | EVG | 63 | 5229 | 4000 | 798 | 602,44 | D24.057 |
| 005.0001.3436 | EVG | 79 | 6589 | 4000 | 1005 | 780,47 | D24.057 |
| 005.0001.3437 | EVG | 93 | 7739 | 4000 | 1179 | 895,02 | D24.057 |
| 005.0001.3438 | EVG | 119 | 9848 | 4000 | 1500 | 1160,16 | D24.057 |
| 005.0001.3439 | EVG | 156 | 12968 | 4000 | 1974 | 1439,61 | D24.057 |
| 005.0001.3440 | DALI | 34 | 2722 | 3000 | 432 | 565,35 | D24.057 |
| 005.0001.3441 | DALI | 48 | 3830 | 3000 | 607 | 660,66 | D24.057 |
| 005.0001.3442 | DALI | 63 | 5040 | 3000 | 798 | 758,30 | D24.057 |
| 005.0001.3443 | DALI | 79 | 6350 | 3000 | 1005 | 953,64 | D24.057 |
| 005.0001.3444 | DALI | 93 | 7459 | 3000 | 1179 | 1068,19 | D24.057 |
| 005.0001.3445 | DALI | 119 | 9492 | 3000 | 1500 | 1333,33 | D24.057 |
| 005.0001.3446 | DALI | 156 | 12499 | 3000 | 1974 | 1612,78 | D24.057 |
| 005.0001.3447 | DALI | 34 | 2824 | 4000 | 432 | 565,35 | D24.057 |
| 005.0001.3448 | DALI | 48 | 3974 | 4000 | 607 | 660,66 | D24.057 |
| 005.0001.3449 | DALI | 63 | 5229 | 4000 | 798 | 758,30 | D24.057 |
| 005.0001.3450 | DALI | 79 | 6589 | 4000 | 1005 | 953,64 | D24.057 |
| 005.0001.3451 | DALI | 93 | 7739 | 4000 | 1179 | 1068,19 | D24.057 |
| 005.0001.3452 | DALI | 119 | 9848 | 4000 | 1500 | 1333,33 | D24.057 |
| 005.0001.3453 | DALI | 156 | 12968 | 4000 | 1974 | 1612,78 | D24.057 |



**Pendelleuchte
ringo trio**



| Artikelnummer | Treiber | W | LM | CCT | D/mm | Brutto | Datenblatt |
|---------------|---------|-----|-------|------|---------------|---------|------------|
| 005.0001.1309 | EVG | 236 | 18850 | 3000 | 798/1005/1179 | 1188,42 | 23.019D |
| 005.0001.1310 | EVG | 236 | 19556 | 4000 | 798/1005/1179 | 1188,42 | 23.019D |
| 005.0001.1311 | DALI | 236 | 18850 | 3000 | 798/1005/1179 | 1443,08 | 23.019D |
| 005.0001.1312 | DALI | 236 | 19556 | 4000 | 798/1005/1179 | 1731,70 | 23.019D |



**Pendelleuchte
ringo trias**



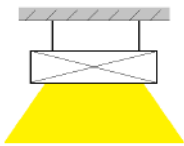
| Artikelnummer | Treiber | W | LM | CCT | D/mm | Brutto | Datenblatt |
|---------------|---------|-----|-------|------|-------------|---------|------------|
| 005.0001.1209 | EVG | 87 | 9072 | 4000 | 1340 x 1310 | 1124,77 | D24.062 |
| 005.0001.1210 | EVG | 125 | 13104 | 4000 | 1730 x 1710 | 1264,83 | D24.062 |
| 005.0001.1211 | DALI | 87 | 9072 | 4000 | 1340 x 1310 | 1269,08 | D24.062 |
| 005.0001.1212 | DALI | 125 | 13104 | 4000 | 1730 x 1710 | 1447,34 | D24.062 |

Ausführung „Office“ Mikroprisma UGR<19



| Artikelnummer | Treiber | W | LM | CCT | D/mm | Brutto | Datenblatt |
|---------------|---------|----|------|------|------|---------|--------------|
| 005.0001.2505 | EVG | 35 | 3600 | 4000 | 450 | 351,44€ | D24.060REV00 |
| 005.0001.2506 | EVG | 85 | 8600 | 4000 | 450 | 382,68€ | D24.060REV00 |
| 005.0001.2507 | DALI | 35 | 3600 | 4000 | 450 | 406,11€ | D24.060REV00 |
| 005.0001.2508 | DALI | 85 | 8600 | 4000 | 450 | 437,35€ | D24.060REV00 |

Pendelleuchte atria 450



Ausführung „Offen“ ohne Abdeckung mit Reflektor innen weiss

| Artikelnummer | Treiber | W | LM | CCT | D/mm | Brutto | Datenblatt |
|---------------|---------|----|-------|------|------|---------|--------------|
| 005.0001.2558 | EVG | 35 | 4320 | 4000 | 450 | 324,11€ | D24.060REV00 |
| 005.0001.2559 | EVG | 85 | 10300 | 4000 | 450 | 355,35€ | D24.060REV00 |
| 005.0001.2560 | DALI | 35 | 4320 | 4000 | 450 | 378,78€ | D24.060REV00 |
| 005.0001.2561 | DALI | 85 | 10300 | 4000 | 450 | 410,01€ | D24.060REV00 |

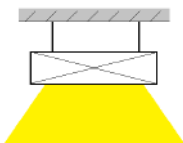


| Artikelnummer | Treiber | W | LM | CCT | D/mm | Brutto | Datenblatt |
|---------------|---------|-----|-------|------|------|----------|--------------|
| 005.0001.3327 | EVG | 132 | 13800 | 4000 | 800 | 2801,26€ | D24.061REV00 |
| 005.0001.3328 | DALI | 132 | 13800 | 4000 | 800 | 3107,76€ | D24.061REV00 |

| | | | |
|-----------|---|---------|--------------|
| 0001.0716 | Mehrpreis für atria in Optik Edelmetall | 106,95€ | D24.061REV00 |
|-----------|---|---------|--------------|



Pendelleuchte atria 800



Stand 12/2022